

# Smart String Inverter



## Higher Revenue

Max. efficiency 98.65%



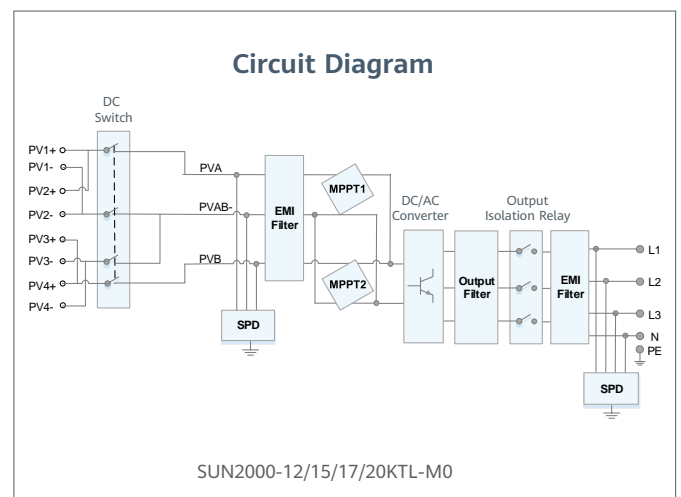
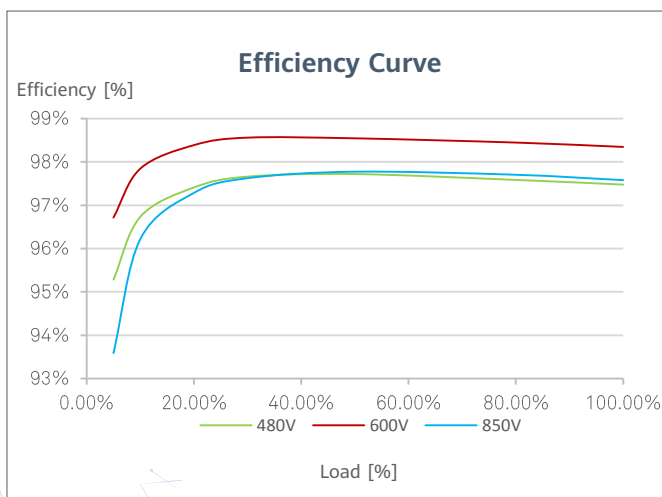
## Simple & Easy

25 kg



## Safe & Reliable

Arc fault protection



# SUN2000-12/15/17/20KTL-M0 Technical Specification

Technical Specification	SUN2000 -12KTL-M0	SUN2000 -15KTL-M0	SUN2000 -17KTL-M0	SUN2000 -20KTL-M0
<b>Efficiency</b>				
Max. efficiency	98.50%	98.65%	98.65%	98.65%
European weighted efficiency	98.00%	98.30%	98.30%	98.30%
<b>Input</b>				
Recommended max. PV power	24,000 Wp	29,760 Wp	29,760 Wp	29,760 Wp
Max. input voltage <sup>1</sup>	1,080 V			
Operating voltage range <sup>2</sup>	160 V ~ 950 V			
Start voltage	200 V			
Rated input voltage	600 V			
Max. input current per MPPT	22 A			
Max. short-circuit current	30 A			
Number of MPP trackers	2			
Max. number of inputs	4			
<b>Output</b>				
Grid connection	Three phase			
Rated output power	12,000 W	15,000 W	17,000 W	20,000 W
Max. apparent power	13,200 VA	16,500 VA	18,700 VA	22,000 VA
Rated output voltage	220 Vac / 380 Vac, 230 Vac / 400 Vac, 3W + N+PE			
Rated AC grid frequency	50 Hz / 60 Hz			
Max. output current	20 A	25.2 A	28.5 A	33.5 A
Adjustable power factor	0.8 leading ... 0.8 lagging			
Max. total harmonic distortion	≤ 3 %			
<b>Features &amp; Protections</b>				
Input-side disconnection device	Yes			
Anti-islanding protection	Yes			
AC over-current protection	Yes			
AC short-circuit protection	Yes			
AC over-voltage protection	Yes			
DC reverse-polarity protection	Yes			
DC surge protection <sup>3</sup>	Yes			
AC surge protection <sup>3</sup>	Yes			
Residual current monitoring unit	Yes			
Arc fault protection	Yes			
Ripple receiver control	Yes			
<b>General Data</b>				
Operation temperature range	-25 ~ + 60 °C (-13 °F ~ 140 °F) (Derating above 45 °C @ Rated output power)			
Relative humidity	0 % RH ~ 100% RH			
Max. operating altitude	0 - 4,000 m (13,123 ft.) (Derating above 2000 m)			
Cooling	Natural Convection			
Display	LED Indicators			
Communication	RS485; WLAN/Ethernet via Smart Dongle-WLAN-FE (Optional) 4G / 3G / 2G via Smart Dongle-4G (Optional)			
Weight (with mounting plate)	25 kg			
Dimensions (W x H x D) (incl. mounting plate)	525 x 470 x 262 mm (20.7 x 18.5 x 10.3 inch)			
Degree of protection	IP65			
Nighttime Power Consumption	< 1 W			
<b>Standard Compliance (more available upon request)</b>				
Safety	EN/IEC 62109-1, EN/IEC 62109-2			
Grid connection standards	G98, G99, EN 50438, CEI 0-21, VDE-AR-N-4105, VDE-AR-N-4110, AS 4777, C10/11, ABNT, UTE C15-712, RD 1699, TOR D4, NRS 097-2-1, IEC61727, IEC62116, DEWA 2.0			

<sup>\*1</sup> The maximum input voltage is the upper limit of the DC voltage. Any higher input DC voltage would probably damage inverter.

<sup>\*2</sup> Any DC input voltage beyond the operating voltage range may result in inverter improper operating.

<sup>\*3</sup> Compatible TYPE II protection class according to EN/IEC 61643-11